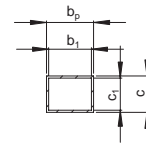
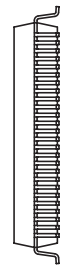
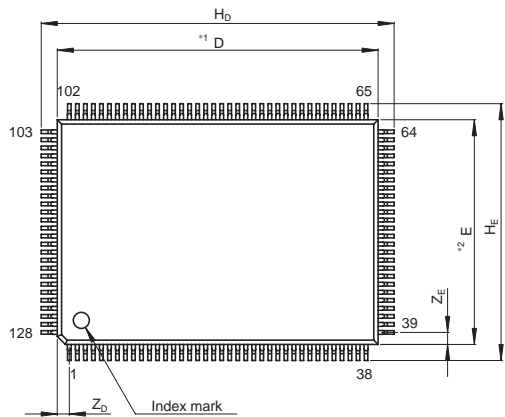


JEITA Package Code
P-QFP128-14x20-0.50

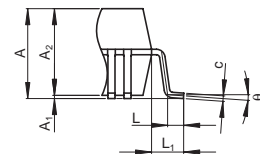
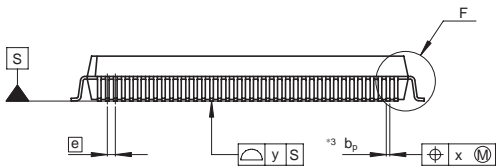
RENESAS Code
PRQP0128KB-A

Previous Code
FP-128B/FP-128BV

MASS[Typ.]
1.7g



Terminal cross section



Detail F

NOTE)
1. DIMENSIONS^{*1} AND^{*2}
DO NOT INCLUDE MOLD FLASH
2. DIMENSION^{*3} DOES NOT
INCLUDE TRIM OFFSET.

Reference Symbol	Dimension in Millimeters		
	Min	Nom	Max
D	—	20	—
E	—	14	—
A ₂	—	2.70	—
H _D	21.8	22.0	22.2
H _E	15.8	16.0	16.2
A	—	—	3.15
A ₁	0.00	0.10	0.25
b _p	0.17	0.22	0.27
b ₁	—	0.20	—
c	0.12	0.17	0.22
c ₁	—	0.15	—
θ	0°	—	8°
⓪	—	0.5	—
x	—	—	0.10
y	—	—	0.10
Z _D	—	0.75	—
Z _E	—	0.75	—
L	0.3	0.5	0.7
L ₁	—	1.0	—